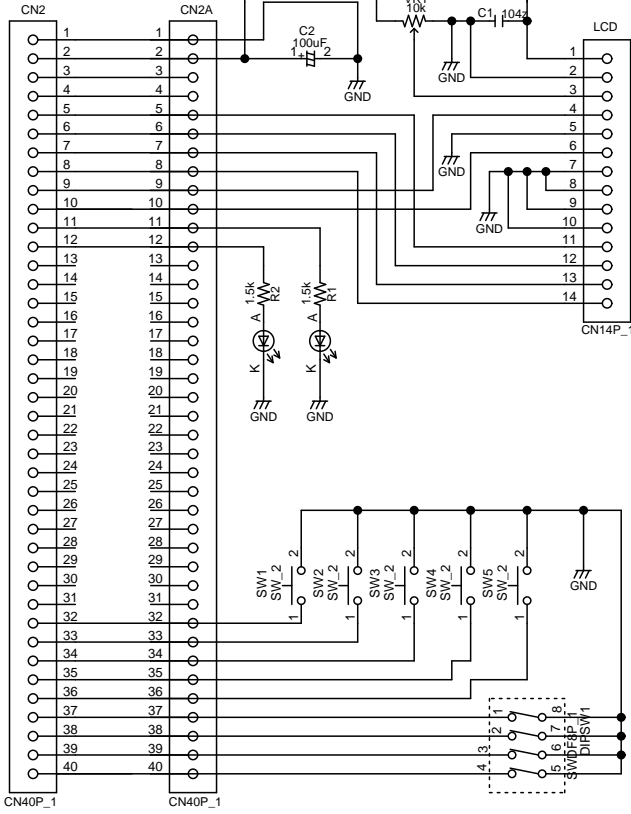
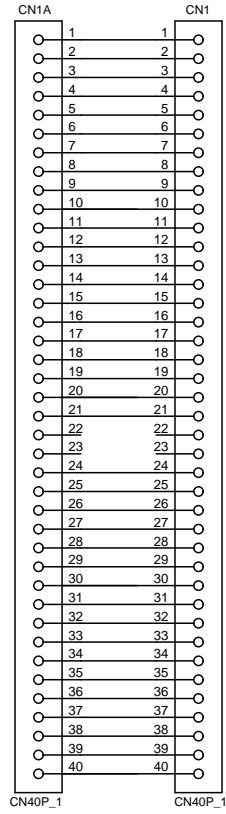
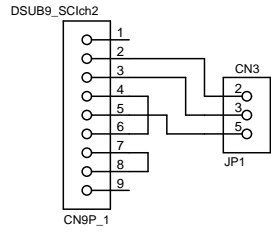


All VCC(DC5V) is supplied from CPU card, through CN2-2
 No additional DC power source is necessary



TITLE H8/3069_TNCT_MB		DRAWING_No.	
SHEET	DATE	DESIGN	
/			